

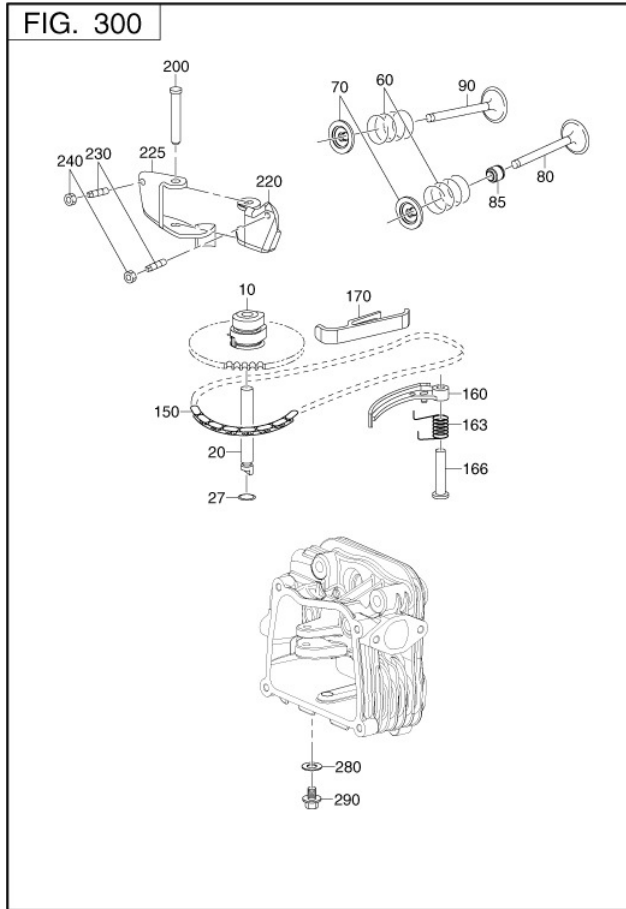
※RED: While supplies last ※YELLOW: Make-to-order Updated:2016/02/26

PDF English

EA190 SPEC.No

3 INTAKE,EXHAUST

EA190V75020



EA190V

21F030001W00

REF.	PART NUMBER	PART NAME	CODE NO.	QTY	REMARKS
10	14200Z02042000	CAM GEAR ASSY	-	1	
20	14216Z02011000	CAM SHAFT	-	1	
27	90681Z02011000	O-RING	-	1	
60	12103Z01011000	VALVE SPRING	-	2	
70	12112Z02012000	SPRING RETAINER	-	2	
80	12111Z02011000	INLET VALVE	-	1	
85	12101Z01011000	VALVE SEAL	-	1	
90	12121Z02011000	EXHAUST VALVE	-	1	
150	90710Z02011000	CHAIN	-	1	
160	14440Z02011000	TENSIONER	-	1	
163	14440Z02014000	TENSIONER SPRING	-	1	
166	14403Z02012000	TENSIONER SHAFT	-	1	
170	14009Z02011000	CHAIN GUIDE	-	1	
200	14330Z02021000	ROCKER ARM PIVOT	-	1	
220	14311Z02032000	INLET ROCKER ARM	-	1	
225	14321Z02032000	EXHAUST ROCKER ARM	-	1	
230	14314Z02021000	VALVE C/L ADJ STUD	-	2	
240	14312Z02021000	VALVE C/L ADJ NUT	-	2	
280	90406050031	WASHER	-	1	
290	900070508A1	BOLT	-	1	